

Be24A Genset & Engine protection module

The Be24A includes all functions needed to control and protect a generating set. The Be24A is a compact 96x96 DIN module featuring 6 membrane-type push buttons, 2 LEDs, a 4 digit display, 5 static outputs, 9 inputs, and a 3-position (50A rated) Key-switch for Manual start. The Be24A replaces the previous Be24 model.



Front Panel features

- Manual and Automatic operating modes
- 4 digit display, 2 LEDs, 6 push-buttons
- 6 display menu: A-V-RPM-Hz-Vdc-h
- 16 alarm & 12 operating messages
- 600 Vac / 1000 Aac display range
- 31 programmable parameters
- In-field calibration facilities
- Compact DIN 96x96 size
- 50A Splash-proof key-switch

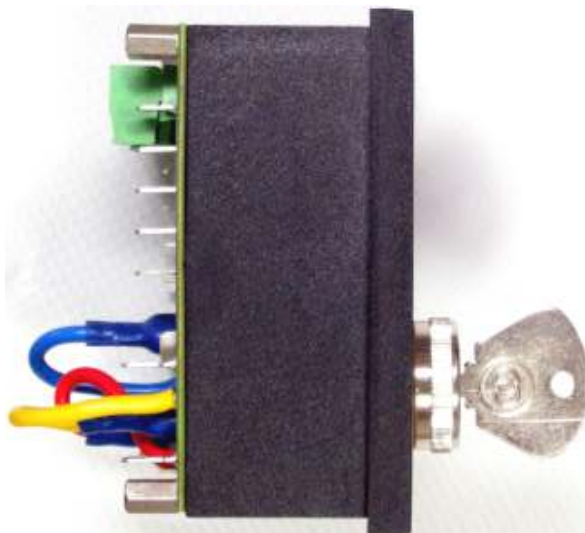
Miscellaneous features

- Ideal for Diesel, Gas or Gasoline engines
- 50A rating key-switch, splash-proof
- Programmable Low Fuel shutdown
- Interfaces Pick-up or 'W'
- Automatic Periodic TEST up to 99 days
- Automatic control of the contactor
- Two part removable Plug & Socket (AC)
- Automotive 1/4" blade terminals (DC)
- 3 years full warranty, cost effective



Specifications

- Vdc Supply range: 6.0Vdc up to 36Vdc
- Vac Generator: 70Vac up to 600Vac
- Frequency Range: 15Hz up to 90Hz
- AC Measurements accuracy: +/-1%
- Generator C.T. input : 0 up to 8Aac
- Positive Static Outputs: 300 mA/100Vdc
- Pick-UP: 0-10kHz, 1-50Vrms
- Temperature range: -30°/+70° C
- Digital inputs detect trigger: < 2Vdc
- Dimensions/Weight: 96x96x75/450 Gr.
- Manual start key rating: 50A
- Panel cut-out: 91x91mm

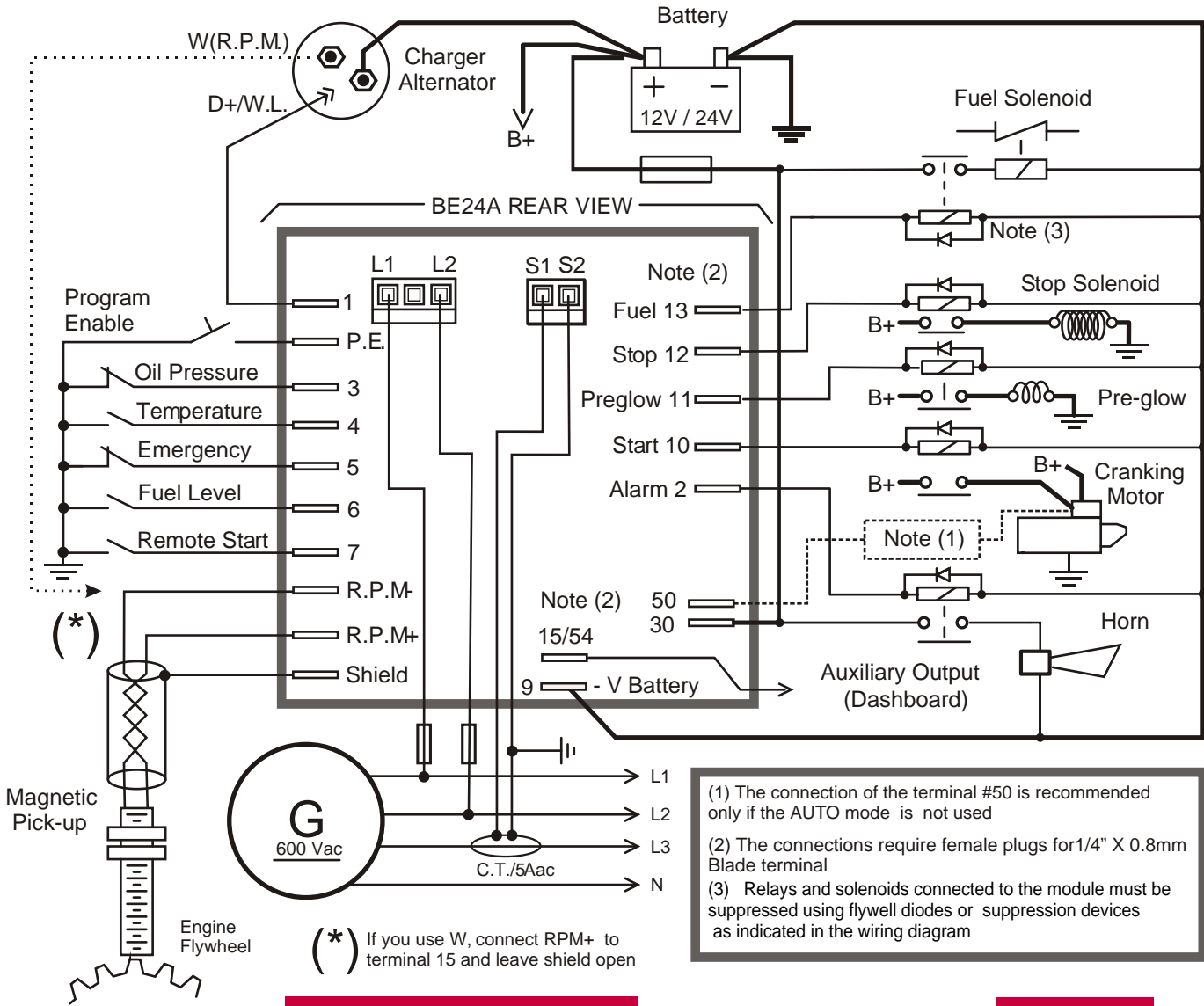


Bernini Design srl

via S.Romano Casetto 26/A
46035 Ostiglia - Italy
tel. ++39 386 31445
fax ++39 386 31657

www.bernini-design.com

TYPICAL APPLICATION

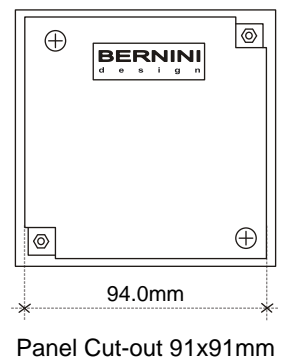


PROGRAMMABLE PARAMETERS

DISPLAY	DESCRIPTION
[P. 0] [1"]	Remote Start delay
[P. 1] [1"]	Remote Stop delay
[P. 2] [5"]	Crank Timing
[P. 3] [8.0]	Engine Running
[P. 4] [3"]	Rest Timing
[P. 5] [3]	Starting Attempts
[P. 6] [Inh.]	Under-Voltage
[P. 7] [Inh.]	Over-Voltage
[P. 8] [Inh.]	Under-Frequency
[P. 9] [Inh.]	Over-Frequency
[P.10] [500]	C. T. Size
[P.11] [Inh.]	Generator Overload
[P.12] [OFF]	Generator Failure
[P.13] [10"]	Glow Plugs/Choke
[P.14] [0]	Output Control
[P.15] [OFF]	Belt Break Control

DISPLAY	DESCRIPTION
[P.16] [15"]	Stop Solenoid Timing
[P.17] [1']	Alarm Output Timing
[P.18] [n.o.]	Temperature Switch
[P.19] [n.o.]	ALARM Control
[P.20] [n.o.]	Remote Start
[P.21] [Inh.]	Under Speed
[P.22] [Inh.]	Over Speed
[P.23] [Inh.]	Teeth of the Flywheel
[P.24] [Inh.]	Crank OFF speed
[P.25] [6"]	Engine alarms By-Pass
[P.26] [Inh.]	Automatic Periodic Test
[P.27] [5']	Engine Test duration
[P.28] [5"]	Generator warm-up
[P.29] [5"]	Generator cooling time
[P.30] [Inh.]	Poles of the Alternator
[P.31] [5']	Fuel Level Shut Down

Rear view



Side view

